

Other Recycling
Equipment
EPS Granulator
Galvanized



EPS Granulator Galvanized

Reduce volume by a third

The granulator reduces the volume of bulky EPS material by a third by turning the material into fine granulates.

For challenging or wet environments

This granulator is especially suitable for environments where there are no special hygienic requirements for stainless steel, but where demands on machine surface are so severe that an ordinary painted granulator will have a short lifetime.

Highlights

- Adjustable capacity to meet individual needs
- In-chamber plastic bag collects granulates
- Bag is easy to change when full
- Takes up little space
- Low overall height
- Galvanized surface

Details and benefits



Polystyrene plates or boxes are efficiently granulated by the two-shaft rotors.



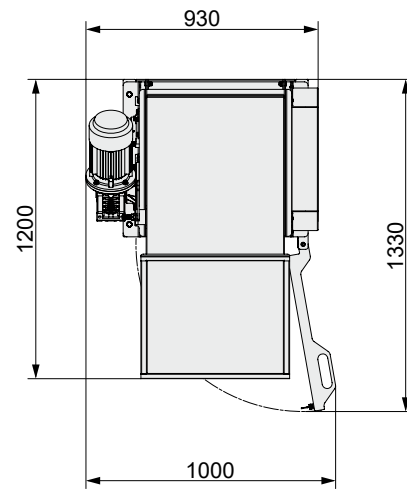
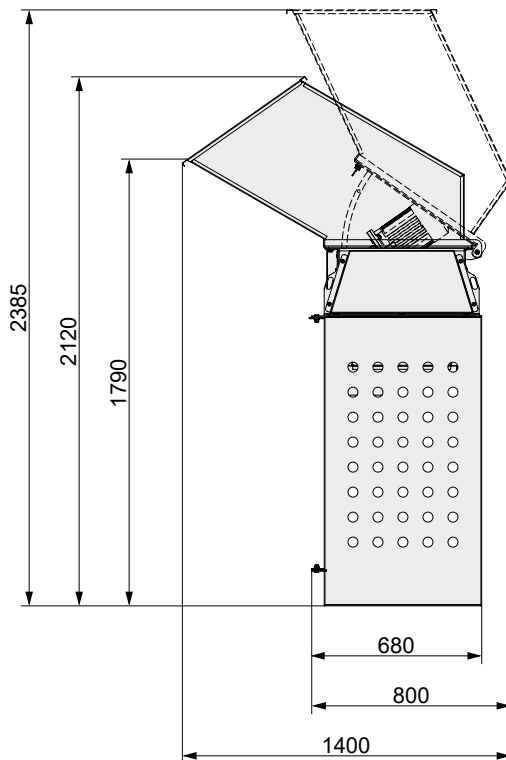
When the plastic bag is full with granulated material, you can easily exchange it with a new bag.



The capacity can be adjusted to meet individual needs, using different screen sizes.

Product details

EPS Granulator Galvanized



Technical specifications

Power supply	3x400V 50Hz 16A
Motor (kW)	1.5
Dimensions WxDxH (mm)	1000 x 1400 x 2120
Weight (kg)	235
Compaction ratio:	
Screen 20 mm (m3/h)	8/3
Screen 30 mm (m3/h)	13/5
Screen 40 mm (m3/h)	18/7



Waste volume

Small / Medium



Feed opening

548 x 552 mm



Waste types

EPS